

Manual Call Point (EP)

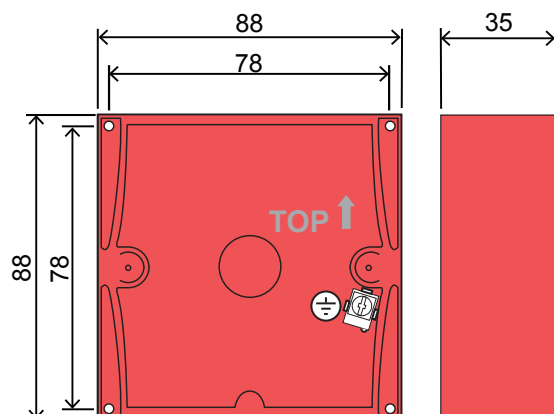
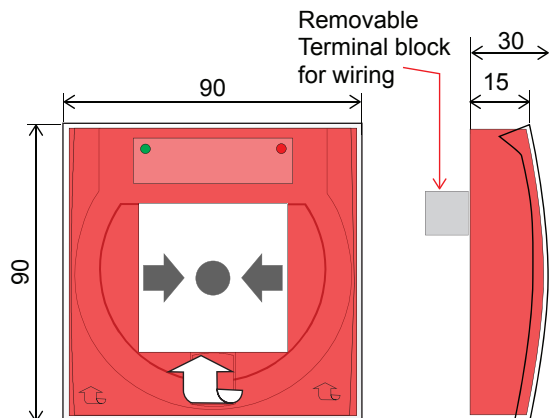
(S4-34805-EP)



042bq/05

This leaflet covers the Environmentally protected manual call point (S4-34805-EP), which is suitable for installation in GENT analogue addressable fire alarm system.

- S4-34890 spare Resettable Element for MCP (pack of 10)
- S4-34899 spare Test key (pack of 25)



This EP MCP is supplied complete with back-box and its IP rating is dependent on supplied back-box being used. A standard MCP back-box or a 3rd party back-box cannot be used.

Technical Data

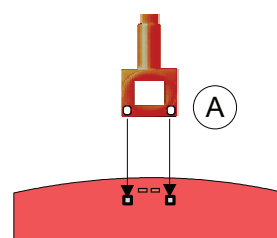
Standard	EN54: Part 11: 2001 EN54-17:2005
IP Rating	IP67
Dimensions	height 90 mm x width 90 mm x depth 65 mm
Full assembly weight	250g - approximate
Storage temperature	-30°C to +70°C
Relative Humidity (Non condensing) Temperature +25°C to +55°C	up to 95%
Emission	BS EN 61000-6-3:2007 + A1: 2011 Residential, Commercial & Light Industry Class B limits
Immunity	BS EN 50130-4: 2011
Colour	Red (similar to RAL3020)
Case	ABS engineering plastic
Active indicator	Red LED with Yellow tab for Test or Fire event
Status indicator	Green LED for status and Find device
Test / Operation	Test or operation of the call point is by using a test key or by pressing the resettable element
Terminals for wiring	2.5mm ² maximum
LPCB Approval	Approved
Operating voltage	35V to 48V
EN54-17 data	V _{max} 48V I _C max 0.8A V _{nom} 40V I _S max 1A V _{min} 35V I _L max 20µA V _{SO} max 16V Z _C max 0.13Ω V _{SO} min 8V

Installation

Ensure all the parts are supplied:

	Component	Quantity
	Call point assembly	1
	Test key	1
	Long screws and washers	2
	Rubber seal	2
	Instructions	1

To disengage outer main assembly

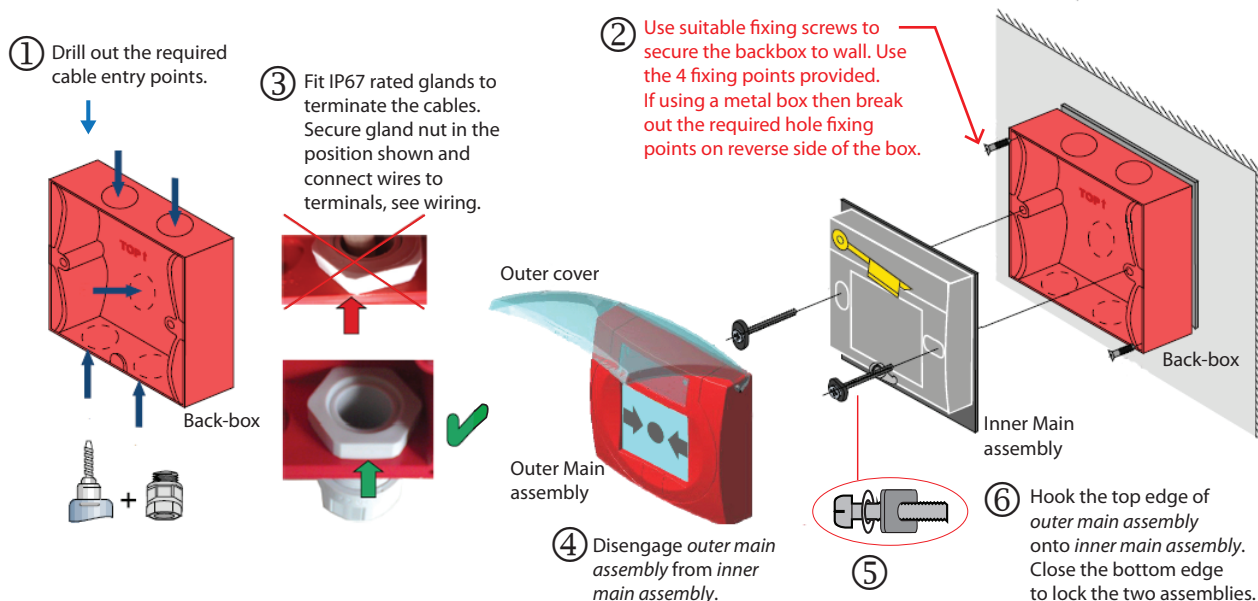


Disengage the *outer main assembly* from *inner main assembly* use the end of a test key 'A' to press the retaining clips and lift out the *outer main assembly* from the bottom edge, see illustration on reverse side. To refit: hook the top edge of the *outer main assembly* onto the *inner main assembly* and then close the bottom edge to lock the assemblies together.

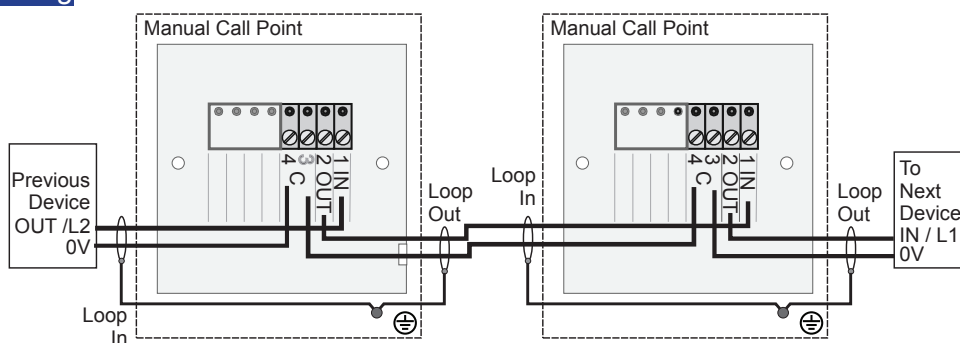
Manual Call Point (EP)

Mounting

Carry out steps ① to ⑥ to install the call point.

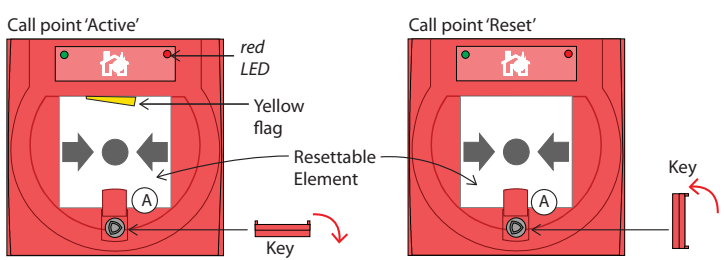


Wiring



i Installer to provide provision for loop cable screen continuity through each device for armoured or similar cable.

Emergency operation
Lift up the transparent cover and press the centre part of the resettable element on the call point inwards to activate the call point, the yellow tab will become visible and the red LED will start to flash.



To reset the 'Resettable element'
After emergency operation of a call point slide the cover 'A' upwards to expose the keyhole. Insert the test key into the keyhole and then turn the test key clockwise a quarter turn, you will hear/feel mechanism engage and then turn the key anticlockwise a quarter turn until the yellow tab moves upwards and is not visible.

Test operation

To test a call point is operating correctly, lift up the transparent cover, slide the keyhole cover 'A' upwards to expose the key hole. Insert the test key in the keyhole and rotate it clockwise a quarter turn, this drops the element and the yellow tab down and will activate the call point. Red LED will start to flash to show active MCP. To reset the call point turn key a quarter turn anticlockwise until the yellow tab moves upwards, then reset panel.

At the end of their useful life, the packaging, product and batteries should be disposed of via a suitable recycling centre and in accordance with national or local legislation.

WEEE Directive:
At the end of their useful life, the packaging, product and batteries should be disposed of via a suitable recycling centre. Do not dispose of with your normal household waste. Do not burn.

CE 0832	
Honeywell Life Safety Romania SRL St Salcomilor nr bis 305500 Lugoj, Romania 16	
DoP 121-CPR-2015	Product No. S4-34805-EP
EN54-11 & 17 S4-34805-EP (EN54-11 & 17) Intended for use in fire detection and fire alarm systems in and around buildings	
Refer to DOP 121-CPR-2015 for level or class of performance declared, for details see website www.gent.co.uk	

Gent by Honeywell reserves the right to revise this publication from time to time and make changes to the content hereof without obligation to notify any person of such revisions of changes.

GENT by Honeywell	Hamilton Industrial Park, Waterside Road, Leicester LE5 1TN, UK.	Website: www.gent.co.uk
	Telephone: +44 (0) 116 246 2000	Tech. Support www.gentexpert.co.uk