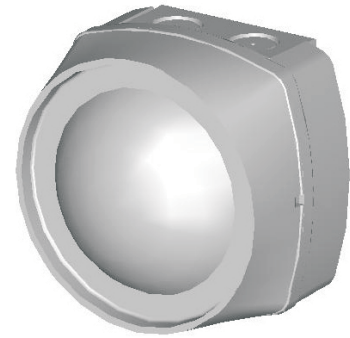




# Addressable Strobe Devices



These instructions cover the following range of loop wired addressable S<sup>3</sup> devices:

### Low profile range

Strobe - Deep base		
Body		
White	S2IP-ST-WR SENADV-IP-ST-WR (red lens)	S2IP-ST-WA (amber lens)
Red	S2IP-ST-RR SENADV-IP-ST-RR (red lens)	S2IP-ST-RW (white lens)

**These products are not visual alarm devices and does not meet EN 54-23.**

The low power addressable **Strobe** devices provide visual alarm signals and are designed for use in **Gent** analogue addressable fire alarm system. Within the range there are optional coloured lens and base combinations. Each Strobe is supplied with a deep base (40mm) offering IP55C ratings.

In addition to the products covered in this leaflet there are *Speech Sounder Strobe* and *Sounder Strobe* variants available, for more information contact your supplier.

**The S<sup>3</sup> product range incorporates innovative design features for which design Patents applications are pending. The product design has also been registered.**

### Do's and Don'ts

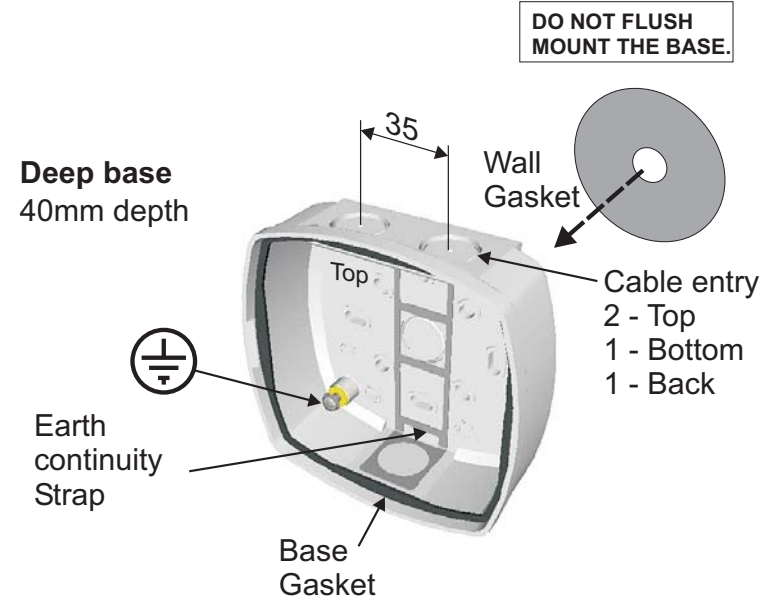
#### Do's

- Ensure your addressable system can accept S<sup>3</sup> products, if in doubt contact your supplier
- Use correct method to open and close the device
- Fit the **wall gasket** first when installing the deep base if IP55C protection is required
- Ensure the **transparent cover** is in place over the PCB
- Ensure the **earth continuity strap** is in place in the **deep base**.

#### Don'ts

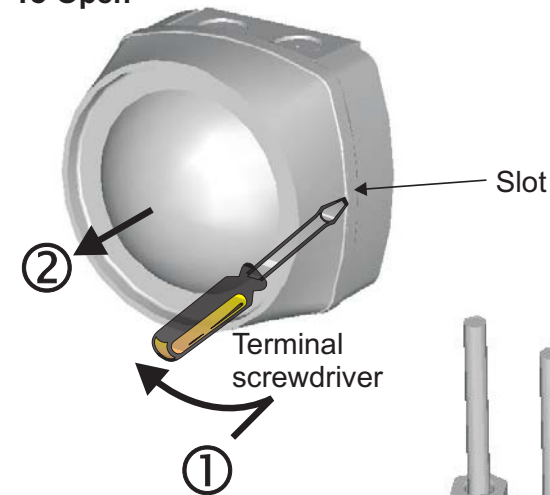
- Don't flush mount the base
- Don't have excessive incoming cable slack
- Don't install the S<sup>3</sup> device such that the visual output is obstructed
- Don't paint the device enclosure.

### Base

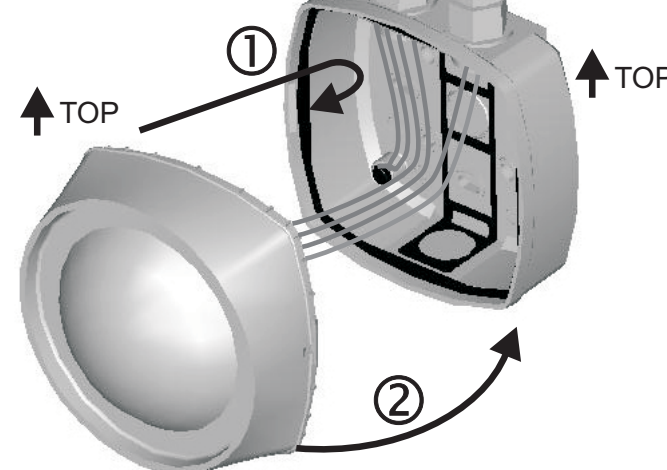


### How to open and close the assembly

#### To Open

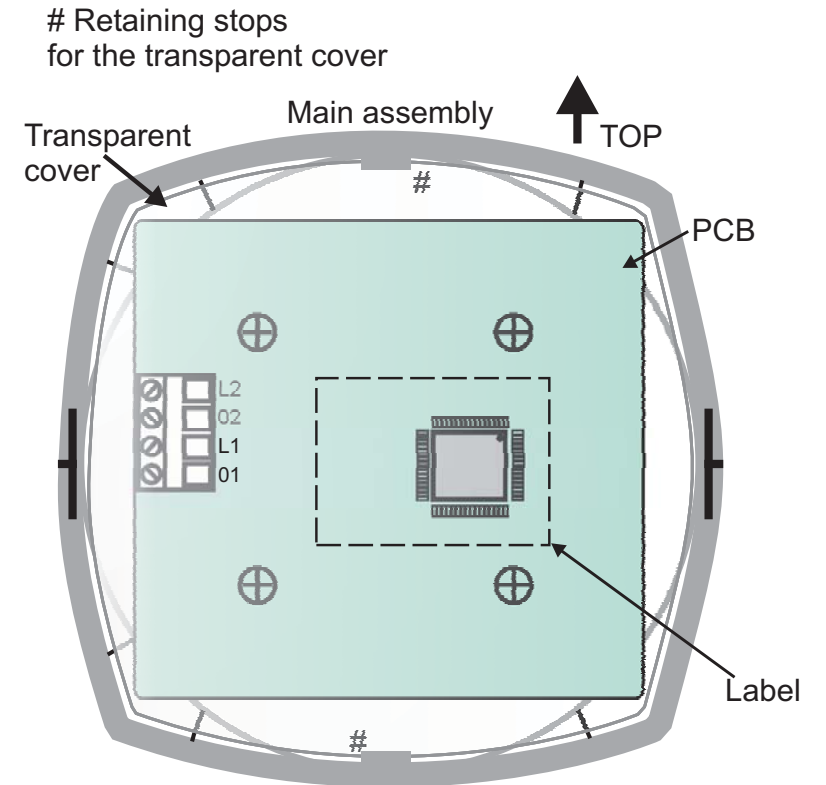


#### To Close

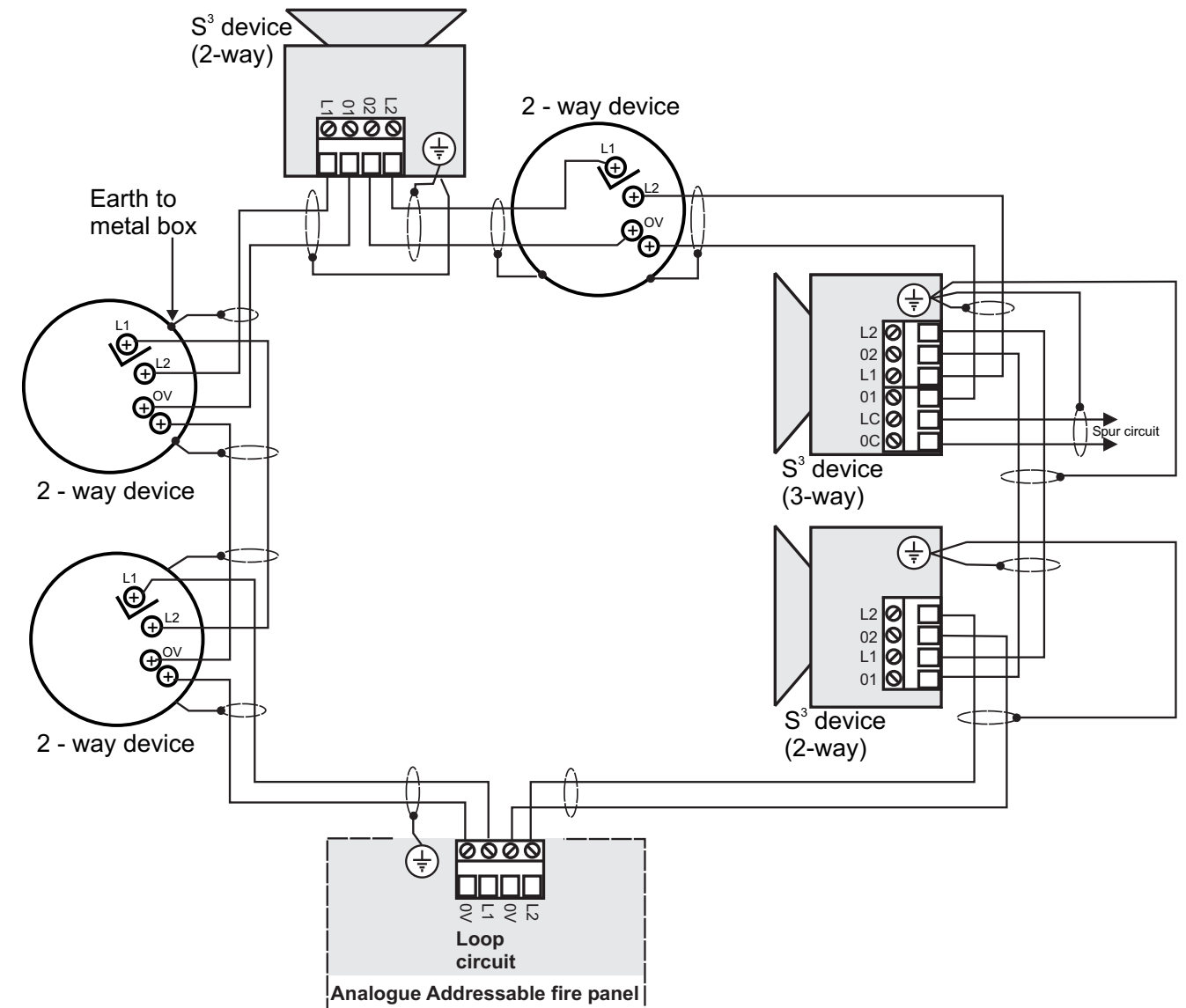


### Installation

- 1 Drill or knockout the required cable entry points on the **Base**.
- 2 If IP55C protection is required, then stick on the circular **wall gasket** on to the centre back of the **base**.
- 3 Secure the Base to the wall whilst ensuring Top of the Base is in correct orientation.
- 4 Terminate the cable at the entry point leaving no more than 10cm (4") tail wire length for connection.
- 5 Ensure the **transparent cover** is in place over the **PCB**. Connect the wires to the terminal block, see Wiring.
- 6 Close the main assembly to the base.



### Wiring



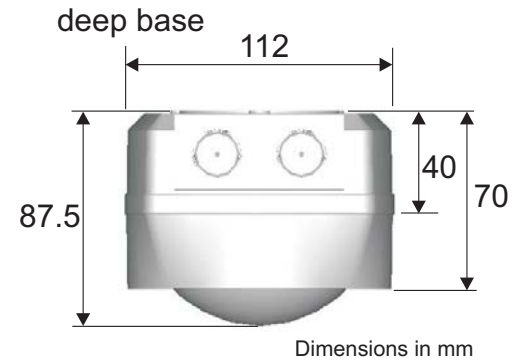
## Operation strobe light

The S<sup>3</sup> devices on each loop circuit of the fire panel are set up during commissioning. The devices are set up to operate the strobe light output in accordance with site specific evacuation procedures.

In the event of a fire the appropriate S<sup>3</sup> device in the system will output standard strobe alarm signals 1, 2 or 3:

- Signal 1 is at 0.5Hz strobe output
- Signal 2 is at 1Hz strobe output
- and Signal 3 is at 1Hz strobe output.

## Technical data



Strobe flash rate	Signal 1 - 0.5Hz Signal 2 - 1Hz Signal 3 - 1Hz
Strobe light output with red / amber lens	equivalent to 3W Xenon flasher
Loop loading factors	<i>per device</i>
Red or Amber Strobe	10
White	23
Operating voltage	range 35V to 41V
Terminal size	2.5mm <sup>2</sup> - maximum
IP rating	deep base IP55C
Enclosure colour	White / Red body - (with red translucent lens)
	White body - (with Amber translucent lens)
	Red body (with White translucent lens)
	Red body (with Red translucent lens)
Enclosure material	Flame retardant ABS (Strobe cover is polycarbonate) The plastic enclosures meet the flammability requirements of ISO 1210:1992 Class FH-2.
Weight	0.3Kg approximate
Operating temperature	-10°C to 50°C
Storage temperature	-20°C to 70°C
Relative humidity (non condensing)	up to 90%

The addressable S<sup>3</sup> products are fully synchronised on the same fire panel.

Due to on going development of the products the information contained in this leaflet is subject to change without notice.