

## Sensor, Sounder, Speech & Strobe



These instructions are for the S-Quad product range. An S-Quad product integrates dual angle smoke, heat and carbon monoxide gas detection with electronic sounder, speech and LED flasher (Strobe) in one assembly.

### Product range



All LPCB approved Sensor STATES are listed in the *S-Quad Description and commissioning information*.

These products are not visual alarm devices and do not meet EN 54-23.

| Part number  | Description   | Symbol                 |
|--------------|---|------------------------|
| S4-720       | Heat Sensor   | H                      |
| S4-780       | Heat Sensor & Sounder                               | HS                     |
| S4-720-ST-VO | Heat Sensor, Speech & Strobe                        | HStSp                  |
| S4-715 #     | Optical Sensor #                                    | O #                    |
| S4-710       | Optical & Heat Sensor                               | OH                     |
| S4-770       | Optical & Heat Sensor plus Sounder                  | OHS                    |
| S4-711       | Dual Optical & Heat Sensor                          | O <sup>2</sup> H       |
| S4-771       | Dual Optical & Heat Sensor plus Sounder             | O <sup>2</sup> HS      |
| S4-711-ST    | Dual Optical & Heat Sensor plus Strobe              | O <sup>2</sup> HSt     |
| S4-711-VO    | Dual Optical & Heat Sensor plus Speech              | O <sup>2</sup> HSp     |
| S4-711-ST-VO | Dual Optical & Heat Sensor plus Speech & Strobe     | O <sup>2</sup> HSpSt   |
| S4-911       | Dual Optical, Heat & CO Sensor                      | O <sup>2</sup> HCO     |
| S4-911-ST-VO | Dual Optical, Heat & CO Sensor plus Speech & Strobe | O <sup>2</sup> HCOspSt |

# This 'Optical' Sensor is used in the Duct sensor.

### Associated products

|                  |   |
|------------------|---|
| S4-700           | S-Quad Base                             |
| S4-FLUSH         | Semi-Flush fixing kit                   |
| 805589           | Sensor dust cover (50 pack)             |
| 805580           | Removal tool kit                        |
| S4-COVER-REMOVER | Dust cover remover tool (spare adaptor) |
| 805576           | Label plate (10 pack)                   |
| 805573           | Base IP43 Gasket (5 pack)               |

### General specification

|  |  |
|--|--|
| Operating voltage                            | 35V - 41V  |
| Weight                                       | 110g (with base - 170g)<br>S4-720 only:88g (with base - 148g)              |
| Dimensions                                   | 117mm diameter by 49.6mm height (With base the height increases to 63.8mm) |
| IP rating                                    | IP30<br>IP20 when mounted on a metal back box                              |
| Enclosure                                    | ABS  |
| Colour                                       | RAL 9010   |
| Approval                                     | LPCB approved  |
| Storage Temperature                          | -20°C to +70°C (for S-Quad with CO -20°C to +50°C)                         |
| Ambient operating temperature                | -10°C to +50°C   |
| Relative Humidity                            | 95% non condensing (+5°C to +45°C)   |
| <b>Heat (H) Standard</b>                     | EN54 : Part 5 : 2002   |
| <b>Optical (O) Standard</b>                  | EN54 : Part 7 : 2002   |
| <b>Dual Optical (O<sup>2</sup>) Standard</b> | EN54 : Part 7 : 2002   |
| <b>Sounder (S) Standard</b>                  | EN54 : Part 3 : 2002   |
| <b>Gas (CO) Standard *</b>                   | LPS 1274   |
| <b>Multi sensor standard</b>                 | CEA 4021: 2003-07  |

EN54-18 : 2005 - Input/Output devices

|  |                     |     |                    |       |
|--|---------------------|-----|--------------------|-------|
| EN54-17 : 2005                         | V <sub>max</sub>    | 42V | I <sub>C</sub> max | 0.4A  |
| - Short-circuit isolator (section 4.8) | V <sub>nom</sub>    | 40V | I <sub>S</sub> max | 1A    |
|  | V <sub>min</sub>    | 24V | I <sub>L</sub> max | 20µA  |
|  | V <sub>SO</sub> max | 16V | Z <sub>C</sub> max | 0.16Ω |
| data:                                  | V <sub>SO</sub> min | 8V  |                    |       |

\* The 'Gas' sensing is designed to meet the requirements of LPS 1274 : issue 1.0

Information on minimum sound output levels to include polar dispersion is covered in a technical note TECH7018.033, available on request from manufacturer.

# Siting

A S-Quad device plugs into a dedicated Base that is installed in the protected premises. The Bases should be sited in locations as defined by the project plans and by BS5839 : Part 1 : 2002.

## Do's and Don't



**DO NOT** locate smoke detectors where products of combustion may be present such as in kitchens, garages, furnace rooms, welding shops etc.

**DO NOT** locate heat detectors above boilers or heaters or where the temperature is normally very high or liable to sudden fluctuations.

**DO NOT** locate smoke or heat detectors: -

- In dusty or dirty environment
- Near heating or air-conditioning grilles
- Outdoors in stables, sheds etc
- In excessively damp areas
- In dead air spaces at the junctions of ceilings and walls
- At ceiling locations where a 'thermal barrier' may exist.

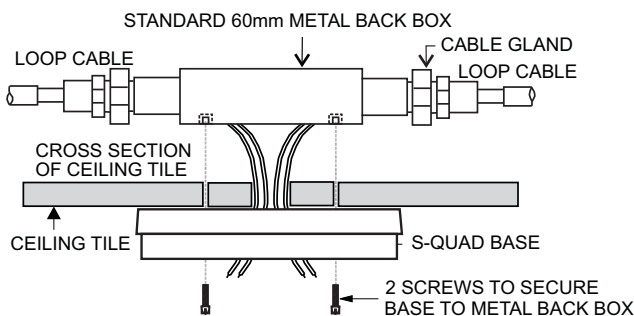
**DO NOT** locate a CO detector: -

- In buildings where farm animals are kept
- In excessive damp areas
- In battery room where non sealed battery are kept
- In a Car park where exhaust fumes will be present.

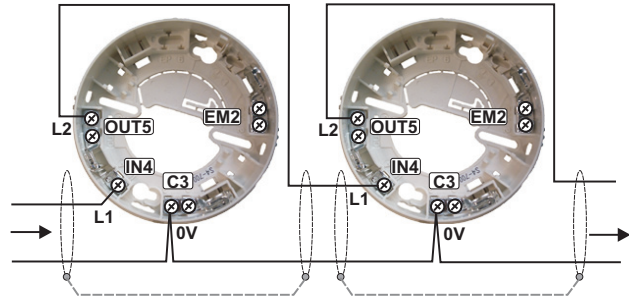
Follow recommendations detailed in section 22 of BS5839 : Part 1 : 2002

## Metal back box

A metal back box must be used for base or semi-flush mounting. The earth continuity must be maintained throughout the whole loop circuit. The earth must be securely connected to the back box.



## In - Out wiring to S-Quad bases



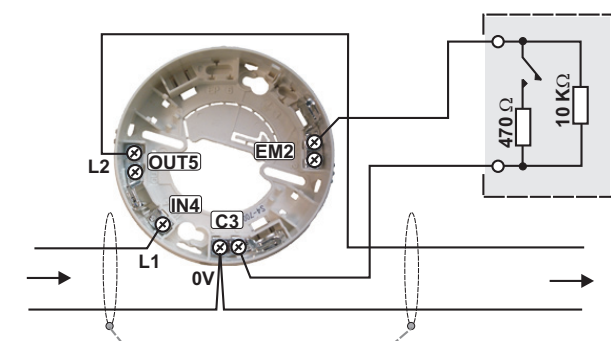
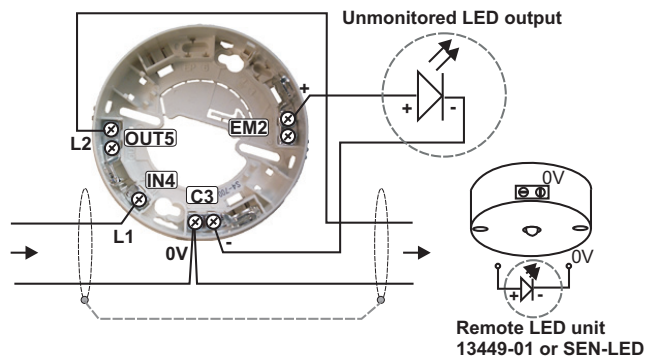
## Programmable input/output



**The 34703 Slave Relay unit and 34703 Slave LED indicator unit are NOT supported for use with S-Quad fire sensors. The Slave units are only compatible with 34xxx range of fire sensors.**

All S-Quad devices can be configured as either monitored input or unmonitored output. The factory setting of the programmable 'input / output' is for an unmonitored output to drive an external repeat LED without a series resistor.

There is a maximum cable length limit of 15 metres from the S-Quad base to the external I/O Unit.



The input can accept signals such as fire, non fire or fault, these are configured during commissioning. As a fire input it is possible to connect a conventional Manual Call Point (non UK application only) with a series resistor of value 470 Ohms coupled with an end-of-line 10Kohms resistor. In this case the fire input is fully monitored for open or short circuit faults.

The input can be setup as a non-fire or fault input using a similar arrangement with series and parallel resistors as shown. It is possible for such an input to trigger a command that is configured to action an output elsewhere in the system to control plant equipment such as the ventilation system.

# Tools

An extractor tool allows removal and fitting of the S-Quad device head into the base. By fitting a screw-on adaptor, the tool can be used to remove the sensor dust cover.

## To remove the S-Quad

Fit the tool onto the S-Quad. Turn S-Quad anticlockwise until it stops and then remove the S-Quad from the base.



## To fit an S-Quad

Fit the S-Quad on to the tool. Offer S-Quad to base and rotate clockwise until it moves upwards on to the base and rotate it again until it clicks and goes no further, the lines on the base and S-Quad will align.



## To fit the dust cover using tool

Place the dust cover onto the tool inside the cradle. Offer the cover to the S-Quad, locate and push to fit it onto the assembly. Withdraw the tool when the dust cover is in place.



## To remove the dust cover using tool

A dust cover remover tool must be fitted to the main tool to extract the dust cover. Press the pad of the dust cover remover tool onto the dust cover, this creates an air tight grip, to allow the cover to be pulled off from the S-Quad.



# S-Quad Semi-flush fixing kit (S4-FLUSH)

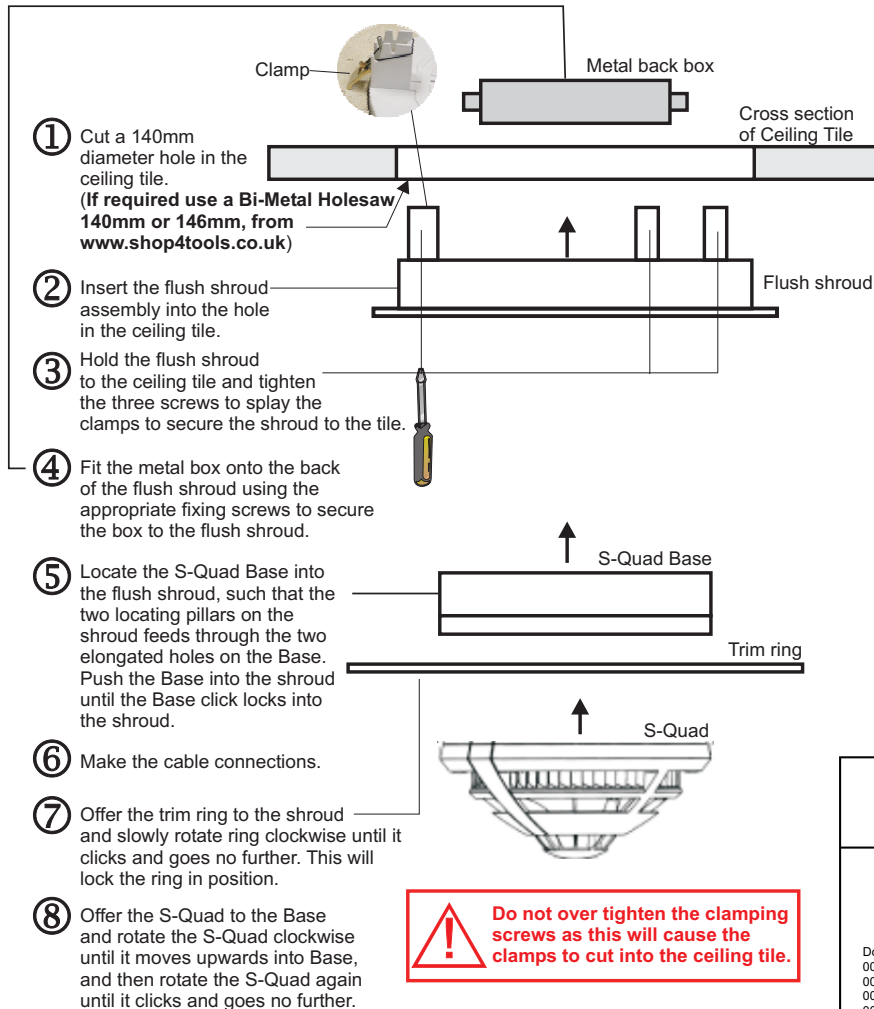
An S-Quad device can be semi-flush mounted to a ceiling tile to an approximate depth of 20mm, which is slightly deeper than the base assembly. To semi-flush mount a special housing must be used, which consists of a main assembly and a trim ring.

## Technical data

|                     |                                  |
|---------------------|----------------------------------|
| Weight              | 164g with trim ring              |
| Dimensions          | 174mm diameter by 50mm depth     |
| Enclosure           | ABS                              |
| Colour              | RAL 9010                         |
| Storage Temperature | -20°C to +70°C                   |
| Ambient temperature | -10°C to +50°C                   |
| Relative Humidity   | 95% non condensing (+5 to +45°C) |



**There is an enhanced volume output of sound and speech from a flush mounted S-Quad.**



**Do not over tighten the clamping screws as this will cause the clamps to cut into the ceiling tile.**

**WEEE Directive:**  
At the end of their useful life, the packaging, product and batteries should be disposed of via a suitable recycling centre. Do not dispose of with your normal household waste. Do not burn.

At the end of their useful life, the packaging, product and batteries should be disposed of via a suitable recycling centre and in accordance with national or local legislation.

Further information about these products can be found in Part 2 of this document available on Gent Expert website.

|   |                         |              |                         |
|---|-------------------------|--------------|-------------------------|
| <b>CE</b><br>0832   |                         |              |                         |
| Gent by Honeywell (Novar Systems Limited)<br>Manufactured by: Honeywell Life Safety Systems,<br>140 Waterside Road, Hamilton Industrial Park,<br>Leicester, LE5 1TN, United Kingdom<br>13 |                         |              |                         |
| DoP   | Product No.             | DoP          | Product No.             |
| 001-CPR-2013  | S4-715                  | 017-CPR-2013 | S4-911-ST-VO            |
| 001-CPR-2013  | S4-710                  | 017-CPR-2013 | S4-911                  |
| 001-CPR-2013  | S4-720                  | 017-CPR-2013 | S4-711-ST               |
| 001-CPR-2013  | S4-770                  | 017-CPR-2013 | S4-711-ST-VO            |
| 001-CPR-2013  | S4-711                  | 017-CPR-2013 | S4-711-VO               |
|   |                         | 017-CPR-2013 | S4-771                  |
|   |                         | 017-CPR-2013 | S4-720-ST-VO            |
|   |                         | 017-CPR-2013 | S4-780                  |
| EN54-3:2001, A1: 2002, A2:2006, EN54-5:2002, A1:2002, EN54-7:2000, A1:2002, A2:2006, EN54-17:2005, EN54-18:2005   |                         |              |                         |
| S4-715  | (EN54-7, 17 & 18)       | S4-911-ST-VO | (EN54-3, 5, 7, 17 & 18) |
| S4-710  | (EN54-5, 7, 17 & 18)    | S4-911       | (EN54-5, 7, 17 & 18)    |
| S4-720  | (EN54-5, 17 & 18)       | S4-711-ST    | (EN54-5, 7, 17 & 18)    |
| S4-770  | (EN54-3, 5, 7, 17 & 18) | S4-711-ST-VO | (EN54-3, 5, 7, 17 & 18) |
| S4-711  | (EN54-5, 7, 17 & 18)    | S4-711-VO    | (EN54-3, 5, 7, 17 & 18) |
|   |                         | S4-720-ST-VO | (EN54-3, 5, 17 & 18)    |
|   |                         | S4-771       | (EN54-3, 5, 7, 17 & 18) |
|   |                         | S4-780       | (EN54-3, 5, 17 & 18)    |
| Intended for use in fire detection and fire alarm systems in and around buildings   |                         |              |                         |
| Refer to DOP 001-CPR-2013 and 017-CPR-2013 for level or class of performance declared, for details see website <a href="http://www.gent.co.uk">www.gent.co.uk</a>                         |                         |              |                         |

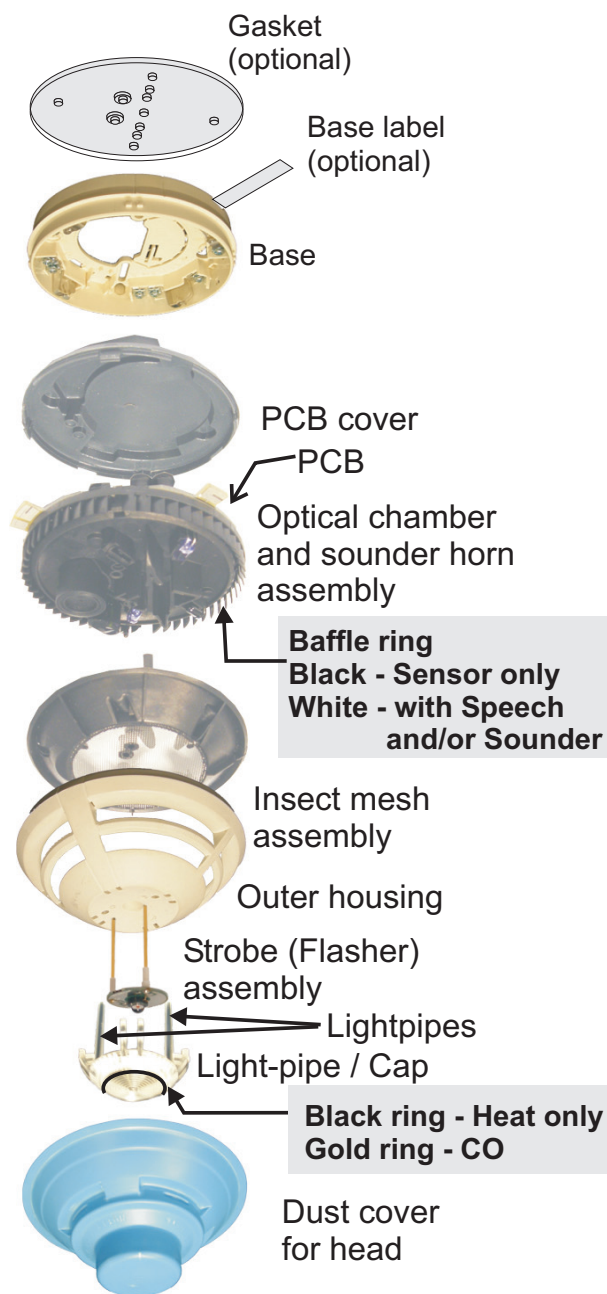
Gent by Honeywell reserves the right to revise this publication from time to time and make changes to the content hereof without obligation to notify any person of such revisions of changes.

|      |   |   |
|------|---|---|
| GENT | Hamilton Industrial Park, Waterside Road, Leicester LE5 1TN, UK | Website: <a href="http://www.gent.co.uk">www.gent.co.uk</a>                       |
|      | Telephone +44 (0) 116 246 2000                                  | Technical support: <a href="http://www.gentexpert.co.uk">www.gentexpert.co.uk</a> |

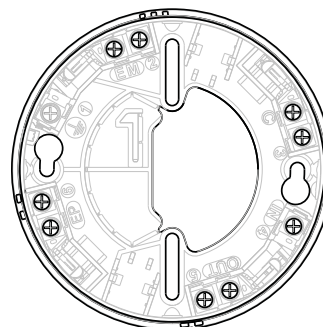
# S-Quad

## Sensor, Sounder, Speech & Strobe

### S-Quad



### Base



The base has terminals for external cables to allow it to be electrically connected to the panel loop circuit and to the monitored input or output circuit. Any S-Quad device can be plugged into a S-Quad base.

### Base Gasket

The optional foam rubber base gasket (Part No: 805573) can be fitted to the base to prevent water damage from dripping water from the ceiling.

### Base labels

An optional label (Part No: 805576) can be fitted to the base. The label can be marked up with device location information.

### Indicators

The S-Quad has a red LED that gives an indication in the event of a fire. The LED can be configured to flash periodically, as an 'in operation' confirmation, this indication is given system-wide at all S-Quads. The S-Quad with a CO sensor also has a blue LED to indicate when a fire signal senses the presence of CO.

### Dust Cover

A dust cover is supplied with the S-Quad, to prevent dust from building work contaminating the sensor. The cover is removed prior to the commissioning of the fire alarm system.

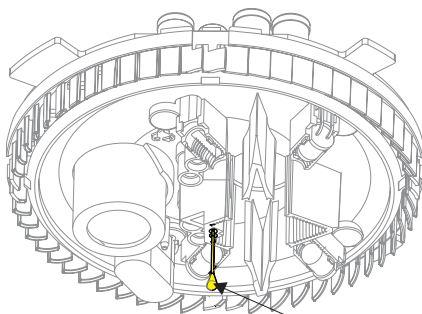
**Monitoring**

Under normal conditions the S-Quads are monitored regularly and the data is used to create a background performance record. When there is a potential event, the S-Quad device will flag the control panel for attention. The control panel will take further readings from the device and compare all the measurements with patterns and rules to determine if it is a fire event.

**Device functionality**

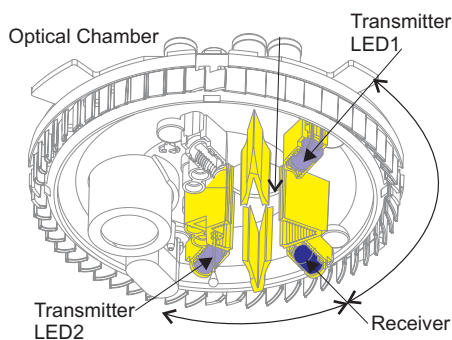
All S-Quads are monitored periodically to check if they are working correctly, an indication of a fault is given if there is a failure. For example the infrared signals through the optical chamber are regularly checked, the thermistor is checked and the CO cell circuit is monitored for failure. The speech, strobe and sounder circuits are monitored for failure.

**Heat sensor (H)**



The heat sensing is provided by a thermistor. The temperature at which the device goes into fire is defined by the configuration settings in the control panel. The control panel also calculates any rate of rise elements required in the fire decision.

**Optical sensors**



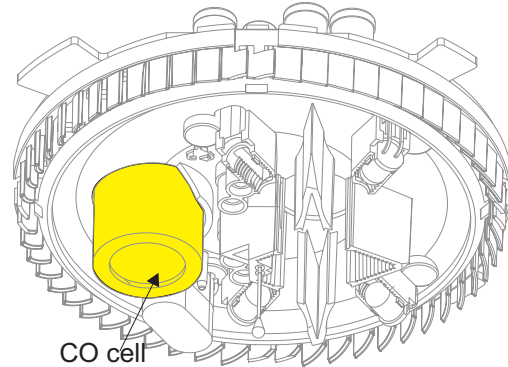
**Dual Optical Sensor**

The optical sensing is performed by the dual angle optical chamber, which has two transmitting LED1 and LED2, plus an infrared receiver. Normally measurements are taken at regular intervals at both angles of the chamber. The panel uses both readings to form a ratio. The ratio is used to compensate the optical sensor, producing a very flat response to different fire types. There are distinct bands of ratios that define the presence of types of smoke, dust or steam. The dual optical sensor is therefore able to discriminate between certain aerosol in the environment. Additionally to stop the sensor saturating with large false alarm signals the sensor incorporates an extended dynamic range. The sensor is therefore suitable for use in wider applications where steam and dust particles may occasionally be present.

**Single Optical Sensor**

The optical sensing is performed in the optical chamber using transmitting LED 1 and an infrared receiver. Measurements are taken at regular intervals. The control panel use these readings to detect the presence of smoke.

**Carbon Monoxide gas sensor (CO)**



The Carbon Monoxide (CO) sensing is provided by a CO cell. The CO cell will sense carbon monoxide gas that is generated from carbon based smouldering fires. The CO sensor is resilient to particles of dust, steam and insects. The CO gas sensing element is used with the heat and smoke sensors to give a capability of detecting a very wide range of fire types. The CO is always used with the heat and optical sensor to give a capability of detecting all EN54 : Part 7 fire tests.

**The CO cell has a life expectancy of 5 years, after this period the sensor should be replaced.**

**Sounder (S)**

The sounder function in a S-Quad is designed to meet the requirement of EN54 : Part 3. The EN54 : Part 3 average output from the sounder is 85dBA at 1m or 75dBA at 3m at a bedhead, making it suitable for installation in hotel bedrooms. The sounder can operate a turbo mode if configured during commissioning to provide further 3dB output. The sound outputs are based on the settings of the FABs and SABs at the panel that gives changing levels over 2 seconds duration in 8 time slots. The standard outputs are synchronised with the 34000 sounders and S<sup>3</sup> devices installed in the same system.

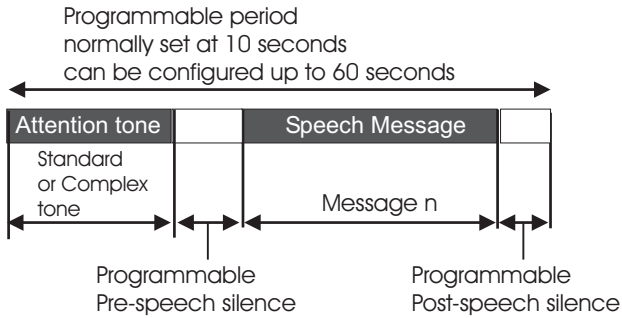
A piezo disk within the S-Quad assembly outputs the sound via a horn, which is constructed in the chamber moulding. The volume of the sound output can be individually set at the device, note that the sound level should not be set lower than 65dBA at 1m for standards compliance. The system prevents adjustment of volume down to zero. Another feature that can be configured is the soft start that ramps the sound volume gradually to the maximum level set at the device.

The S-Quad will have a white baffle to identify it as having Sound functionality.

**The Sound Pressure Level at 90° will far exceed the more useful average Sound Pressure Level quoted.**

**Speech (Sp)**

The S-Quad Speech function is provided by stored messages on a flash memory chip within the assembly. The standard flash memory can hold up to 60 seconds of audio and additionally it holds local complex attention tones, such as the bell and DIN signals. Each signal output from an S-Quad Speech device consists of an attention tone followed by a message. The attention tone can be a local complex tone or a panel tone, such as the standard 'hee naw' sound.



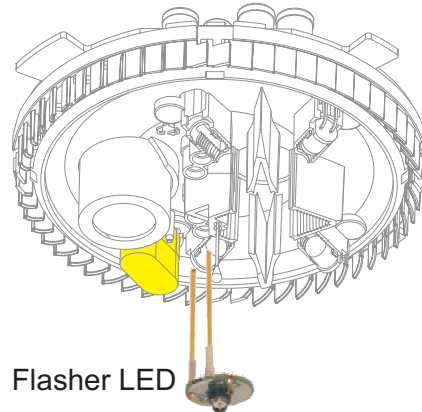
It is possible to reprogram factory set speech messages

There are four default messages in English plus a bell tone. However your system may carry special messages.

**System default:**

|           |  |          |
|-----------|--|----------|
| Message 1 | Bell tone  |          |
| Message 2 | <i>Attention please this is an emergency please leave the building by the nearest available exit. (female voice)</i> | Signal 3 |
| Message 3 | <i>An incident has been reported in this building please await further instructions. (female voice)</i>              | Signal 1 |
| Message 4 | <i>This is a test message no action is required. (female voice)</i>  | Signal 0 |
| Message 5 | <i>This is a fire alarm please leave the building immediately by the nearest available exit. (male voice)</i>        | Signal 2 |

**Strobe (St)**



The Strobe utilises a high-power red LED that receives its power from a super capacitor in the S-Quad assembly. The high light output from the LED is made possible by the low impedance of the capacitor. When compared with the conventional Xenon flasher the S-Quad strobe outputs a lower level of light over longer duration to achieve the same intensity. The strobe is designed for installation on a ceiling and provides a wide viewing angle to allow the light to be seen all around. As factory set the strobe provides a pulsed output every 2s with signal 1, 1 second with signal 2 and 1 second with signal 3, however the operation of the strobe with the signals 1, 2 and 3 can be changed at the commissioning stage. The strobe is synchronised with S-Cube strobe installed in the same system.

The Disability Act 1995 recommends visual alarms, like S-Cube and S-Quad, are installed in protected premises to warn occupants who are hard of hearing.

A metal back box must be used for semi-flush mounting. The earth continuity must be maintained throughout the whole loop. The earth must be securely connected to the metal back box.

**Compatibility**

At the time of releasing this data sheet the S-Quad devices were compatible for installation on the loop circuits of fire alarm system based on panels having the following Main Controller Card/Board (MCC / MCB) and Loop Processor card (LPC) software:

| ≥ mean - Greater than or equal to.              | BS panel |       | EN panels      |                 |                    |                  |       |
|---|----------|-------|----------------|-----------------|--------------------|------------------|-------|
|   | Vigilon  |       | Vigilon 4 Loop | Vigilon Compact | Vigilon Compact VA | Vigilon 4-6 Loop |       |
| Card ->   | MCC      | LPC   | MCC            | MCB             | MCB                | MCC              | LPC   |
| <b>S-Quad</b>                                   | ≥3.90    | ≥3.90 | ≥4.30          | ≥4.30           | ≥4.30              | ≥4.37            | ≥4.30 |
| <b>S-Quad supports S4-710</b>                   | ≥3.90    | ≥3.90 | ≥4.30          | ≥4.30           | ≥4.30              | ≥4.37            | ≥4.30 |
| <b>S-Quad supports STATES 2 &amp; 4 Optical</b> | ≥3.94    | ≥3.93 | ≥4.37          | ≥4.37           | ≥4.37              | ≥4.37            | ≥4.35 |
| <b>S-Quad supports STATE 6 CO</b>               | ≥3.97    | 3.97  | ≥4.43          | ≥4.43           | ≥4.43              | ≥4.43            | ≥4.41 |
| <b>S-Quad supports STATE 7 heat</b>             | ≥3.98    | ≥3.98 | ≥4.47          | ≥4.47           | ≥4.47              | ≥4.47            | ≥4.45 |

**How to check card software version**

The *Master Control Board* MCB and *Master Control Card* MCC are always **Card 0**.

There can be up to 2 loop cards installed in a Vigilon Compact Panel in slots labelled **Card 1** and **Card 2** on the MCB.

There can be up to 4/6 loop cards installed in a BS and EN54 Vigilon 4/6-loop panel . The loop cards are installed in slots labelled **Card 1 to Card 4/6** on the backplane. The 6-loops are applicable to EN panel only.

- a. Press the **MENU ON/OFF** button.
- b. Press the F3 button to select **[Info]**.
- c. To display a Device label: Press the F1 button to select **[Display]**.
- d. Press the F4 button to select **<etc>** until **[Status]** appears on the display.
- e. Press the F2 button to select **[Status]**.
- f. Press the F3 button to select **[Card]**.
- g. Enter the Card number: For MCC/MCB this is card 0 and for the Loop processor card LPC this can be card 1,2,3, 4, 5 or 6 dependent on panel type.
- h. Press the F2 button to select **[Enter]**. Notice the selected card status is displayed to include the software version number.

## S-Quad STATES

The STATE in which an S-Quad sensor operate can be changed from the default factory set STATE to another STATE during commissioning using the Commissioning tool. The environment in which an S-Quad device is installed will determine what STATE is used.

# - factory default settings

| Device   | LPCB approved STATE | Meets ~ EN54 : Part 7 :2000<br>* EN54 : Part 5 :2002 |
|--|---------------------|--|
| <b>Dual Optical &amp; Heat sensor variant-</b>     |                     |  |
| S4-711   | STATE 0 #           | Medium optical smoke ~ / Class A1 heat *             |
| (With Strobe) S4-711-ST                            | STATE 5             | Medium optical smoke ~ / Class B heat *              |
| (With Speech) S4-711-VO                            | STATE 8             | Delayed medium optical smoke ~ / Class A1 heat*      |
| (With Strobe & Speech) S4-711-ST-VO                |                     |  |
| (With Sounder) S4-771                              |                     |  |
| <b>Dual Optical, Heat &amp; CO sensor variant-</b> |                     |  |
| S4-911   | STATE 0 #           | Medium optical smoke ~ / Class A1 heat *             |
| (With Speech & Strobe) S4-911-ST-VO                | STATE 9             | Class A1 heat *                                      |
| <b>Optical &amp; Heat sensor variant -</b>         |                     |  |
| S4-710   | STATE 0 #           | Medium optical smoke / Class A1 heat*                |
| (With Sounder) S4-770                              |                     |  |
| <b>Heat sensor variant -</b>                       |                     |  |
| S4-720   | STATE 0 #           | Class A1 heat *                                      |
| (With Speech & Strobe) S4-720-ST-VO                | STATE 5             | Class B heat *                                       |
| (With Sounder) S4-780                              |                     |  |
| (With Strobe) S4-780-ST                            |                     |  |
| <b>Optical sensor -</b>                            | STATE 0 #           | Medium optical smoke                                 |
| S4-715   |                     |  |

All S-Quad range of sensor sounder devices meet CEA 4021 where applicable. All S-Quad range of sensor sounder devices meet EN54-17:2005, Short-circuit Isolators and EN54-18:2005, Input/Output devices for use on the transmission path of fire detection and alarm systems.

### S-Quad Heat sensor STATES

| STATE    | Definition / Class  | Application in / Suitable for:   | Sensitivity<br>a-high- to-e-none |
|----------|---|--|----------------------------------|
| STATE 0# | Class A1 heat   | Area having high levels of smoke, dust or steam.   | a                                |
| STATE 13 | Class A2 heat   | Area where there is moderate temperature changes plus dust, smoke or steam present.                                | b                                |
| STATE 7  | Class A2S heat  | Area where fixed temperature operation is required, but is totally unaffected by transient temperature variations. | c                                |
| STATE 5  | High temperature Class B heat                                   | Area having high ambient temperature plus dust, smoke or steam present.  | d                                |
| STATE 6  | High temperature Class BS heat - with no rate of rise component | Area where there is rapid temperature changes plus dust, smoke or steam present.                                   | e                                |
| STATE 15 | No detection  |  | f                                |

### S-Quad Optical sensor STATES

| STATE    | Definition / Class                          | Application in / Suitable for:  | Sensitivity<br>a-high- to-f-none |
|----------|---|---|----------------------------------|
| STATE 3  | High sensitivity optical                    | Clean area or environment, where early detection is required                            | a                                |
| STATE 4  | Medium sensitivity with no spike protection | General area as STATE 0 with less immunity to steam and dust to facilitate witness test | b                                |
| STATE 0# | Medium sensitivity optical                  | General area  | c                                |
| STATE 8  | Delayed medium sensitivity optical          | General area with transient steam, dust or smoke present                                | d                                |
| STATE 2  | Low sensitivity optical                     | Area with moderate dust, smoke or steam present   | e                                |
| STATE 15 | No detection                                |   | f                                |

**S-Quad Dual Optical Heat & Optical Heat sensor STATES**

| STATE    | Definition / Class   | Application in / Suitable for:   | Sensitivity<br>a-high- to-j-none |
|----------|--|--|----------------------------------|
| STATE 3  | High sensitivity optical, Class A1 heat                            | Clean area or environment, where early detection is required   | a                                |
| STATE 4  | Medium sensitivity with no optical spike protection, Class A1 heat | General area as STATE 0 with less immunity to steam and dust for ease of testing using artificial smoke in normal operating mode, when test / commissioning mode is not active | b                                |
| STATE 0# | Medium sensitivity optical, Class A1 heat                          | General area   | c                                |
| STATE 8  | Delayed medium sensitivity optical, Class A1 heat                  | General application in area with transient steam, dust or smoke present  | d                                |
| STATE 7  | Medium sensitivity optical, Class A2S heat                         | General application in area with low dust, smoke or steam present, for fixed temperature operation that is totally unaffected by transient temperature variation               | e                                |
| STATE 5  | Medium sensitivity optical, Class B heat                           | Area having high ambient temperature with low dust, smoke or steam present   | f                                |
| STATE 2  | Low sensitivity optical, Class A1 heat                             | Areas with moderate dust, smoke or heat during working hours when used with timing function  | g                                |
| STATE 11 | Low sensitivity optical, Class B heat                              | Area having high ambient temperature, plus where moderate dust, smoke or steam present   | h                                |
| STATE 6  | Low sensitivity optical, Class BS heat                             | Area having high ambient temperature that changes, plus moderate dust, smoke or steam present  | i                                |
| STATE 12 | Class A1 heat only   | Area where smoke, dust or steam occurs at times  | j                                |
| STATE 15 | No detection   |  | k                                |

# - factory default settings

**S-Quad Dual Optical, Heat & CO sensor STATES**

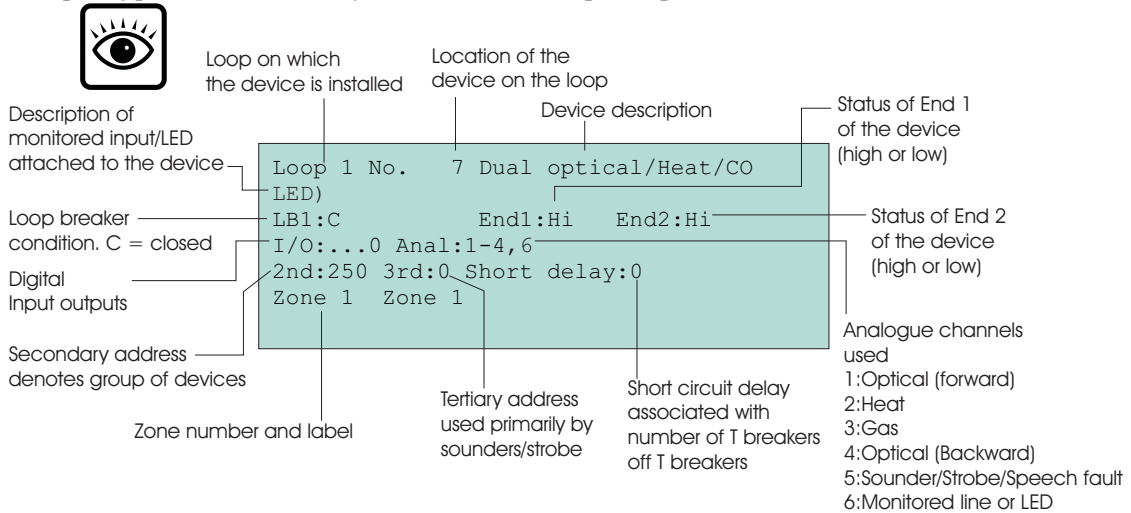
| STATE    | Definition / Class   | Application in / Suitable for:   | Sensitivity<br>a-high- to-h-none |
|----------|--|--|----------------------------------|
| STATE 1  | High sensitivity optical, Class A1 heat, high sensitivity gas                              | Clean area or environment where early detection is required with false alarm reduction   | a                                |
| STATE 4  | Medium sensitivity optical with no spike protection, Class A1 heat, medium sensitivity gas | General area as STATE 0 with less immunity to steam and dust for ease of testing using artificial smoke in normal operating mode, when test / commissioning mode is not active | b                                |
| STATE 0# | Medium sensitivity optical, Class A1 heat, medium sensitivity gas                          | General area where false alarm reduction is required for comprehensive fire detection  | c                                |
| STATE 7  | Medium sensitivity optical, Class A2S heat, medium sensitivity gas                         | General area with moderate dust, smoke (tobacco) or steam, operates at a fixed temperature and is totally unaffected by transient temperature variation                        | d                                |
| STATE 2  | Medium sensitivity optical, Class A1 heat, low sensitivity gas                             | Applications with moderate dust, smoke (tobacco) or steam  | e                                |
| STATE 9  | Medium sensitivity gas, Class A1 heat  | Area where high levels of smoke, dust or steam is often present  | f                                |
| STATE 11 | Medium sensitivity optical, Class B heat   | Area with high ambient temperature, plus low levels of dust, smoke or steam present  | g                                |
| STATE 12 | Class A1 heat only   | Area where smoke, dust, steam or gas occurs at times   | h                                |
| STATE 15 | No detection   |  | i                                |

# S-Quad Status

## How to view S-Quad Status

To view the status of an S-Quad device following the allocation of the loop circuit on which it is installed

- a. Press **Menu On/Off** button.
- b. Select **[Info]**, momentarily press **<etc>** to select **[Status]**
- c. Select **[Device]** and enter a device number
- d. Select **[Loop]** and enter the loop number and then **[Enter]** to view device status information.



| Part No      | Product  | Digital I/O |               |   |   | Analogue Channels |
|--------------|--|-------------|---------------|---|---|-------------------|
|              |  | .           | O             | O | O |                   |
| S4-720       | Heat Sensor                                      | .           | .             | . | O | 2                 |
| S4-720-ST-VO | Heat Sensor plus Speech & Strobe                 | O           | O             | O | O | 2,5               |
| S4-780       | Heat Sensor Sounder                              | .           | O             | O | O | 2, 5              |
| S4-715       | Optical Sensor                                   | .           | .             | . | O | 1                 |
| S4-710       | Optical & Heat Sensor                            | .           | .             | . | O | 1,2               |
| S4-770       | Optical & Heat Sensor plus Sounder               | .           | O             | O | O | 1,2,5             |
| S4-711-VO    | Dual Optical & Heat Sensor plus Speech           | .           | O             | O | O | 1,2,4,5           |
| S4-711       | Dual Optical & Heat Sensor                       | .           | .             | . | O | 1, 2,4            |
| S4-711-ST    | Dual Optical & Heat Sensor plus Strobe           | O           | .             | . | O | 1, 2, 4, 5        |
| S4-771       | Dual Optical & Heat Sensor plus Sounder          | .           | O             | O | O | 1, 2, 4, 5        |
| S4-711-ST-VO | Dual Optical & Heat Sensor + Speech & Strobe     | O           | O             | O | O | 1, 2, 4, 5        |
| S4-911       | Dual Optical, Heat & CO Sensor                   | .           | .             | . | O | 1, 2, 3, 4, 5     |
| S4-911-ST-VO | Dual Optical, Heat & CO Sensor + Speech & Strobe | O           | O             | O | O | 1, 2, 3, 4, 5     |
|              | + Monitored input                                |             |               |   |   | 6                 |
|              | + Monitored output                               |             |               |   |   | 6                 |
|              |  | .           | - Unconnected |   |   |                   |
|              |  | O           | - Output      |   |   |                   |
|              |  |             | - Don't Care  |   |   |                   |

- Analogue Channel 1 is forward scatter optical smoke sensor
- Analogue Channel 2 is heat sensor
- Analogue Channel 3 is for CO gas sensor
- Analogue Channel 4 is for backward scatter optical smoke sensor
- Analogue Channel 5 reports sounder/flasher/speech faults to the control panel
- Analogue Channel 6 reports monitored input/monitored output faults/operation to the control panel



**The correct device type may not be displayed if the loop circuit has allocation faults.**

**How to check S-Quad Exception codes**

The Exception codes are also sometimes called condition codes and these codes provide information about a sensor device. A code indicates small changes in the:

- environmental condition
- sensor mechanism and
- how the sensor performs in the system.



To ensure that the sensor exception codes are meaningful, after power up the system should be left undisturbed for at least 24 hours.

*Definition*

There are ten different conditions possible for each sensor type, although not all of them are defined. Each condition code has a range of 0-3,

| Exception/Condition Code | Meaning   |
|--------------------------|---|
| 0                        | This condition is OK. This code is not displayed unless another non zero code exists.   |
| 1 or 2                   | Suggest preventive maintenance is required, where necessary, to avoid possible false alarms.  |
| 3                        | The sensor is faulty. A fault condition indication is given at the control panel. A message reading 'Sensor Out of Specification' is displayed. |



A sensor having code 3 is automatically disabled by the system to prevent false alarms.

To view the exceptions/condition codes of a device/outstation:

- a. Press **Menu On/Off** button
- b. Select **[Info]** and press **<etc>** to select **[Event]**
- c. Press **<etc>** and select **[Exception]** and then select **[Enter]**.



Time and date when exceptions (Condition code /Subfault) were read

```

Time: 15:54.07 Wed 20 June 2012 23:15
Exception
Number 2 on Loop 1
condition 3 3 3 3 3 3 3 3 3 3
    
```

Device number residing on loop number stated here whose exceptions are shown

These exceptions/condition codes indicate the device is probably disconnected

1 2 3 4 5 6 7 8 9 10  
 These are position numbers as they appears in the exceptions (or condition code) table.

**How to interpret Exception Codes**

| Exceptions /Condition codes   | Meaning  | Action  |
|---|--|---|
| 1 0 0 0 0 0 0 0 0 0 or<br>0 1 0 0 0 0 0 0 0 0 or<br>1 1 0 0 0 0 0 0 0 0                           | This is the <i>sub-fire</i> band and if set should be taken as showing that the sensor is at its optimum sensitivity for its location.   | No action need be taken.  |
| 2 0 0 0 0 0 0 0 0 0 or<br>0 2 0 0 0 0 0 0 0 0 or<br>2 2 0 0 0 0 0 0 0 0                           | A sub-fire has been generated which would suggest that the sensor was either too sensitive for its environment or that the sensor type may be incorrect for the location.                | Action should be to check location and alter sensor state or type as required. The customer should be made fully aware of this change. Remember to backup all changes of states onto the NVM. |
| 0 0 1 0 0 0 0 0 0 0 or<br>0 0 2 0 0 0 0 0 0 0   | These codes indicate that the sensor is in a <i>windy location</i> . This will cause the chamber voltage to drop. Code Level 1 shows one drop only, Level 2 shows greater than one drop. | The location should be checked and a change in siting made, if required. Note: Wind will not cause the sensor to false alarm.   |
| 0 0 0 0 1 0 0 0 0 0 or<br>0 0 0 0 2 0 0 0 0 0 or<br>0 0 0 0 0 1 0 0 0 0 or<br>0 0 0 0 0 2 0 0 0 0 | This shows that the sensor time averages are close to acceptable limits.   | On commissioning the sensor should be replaced. A sensor with code 2 is worse than code 1. On maintenance sensors with code 2 should be replaced.   |
| 0 0 0 0 0 0 1 0 0 0 or<br>0 0 0 0 0 0 2 0 0 0 or<br>0 0 0 0 0 0 0 1 0 0 or<br>0 0 0 0 0 0 0 2 0 0 | This shows that high frequency noise events have been detected by the system. A code 1 shows one event and a code 2 shows more than one event.   | The sensor should be replaced. On maintenance, sensor with code 2 should be replaced. If it reoccurs then check the environment.  |
| 0 0 0 0 0 0 0 0 1 0 or<br>0 0 0 0 0 0 0 0 2 0   | This shows sensor hardware faults. 1 for code 1 and more than one for a code 2.  | The sensor should be replaced.  |
| 0 0 0 0 0 0 0 0 0 1 or<br>0 0 0 0 0 0 0 0 0 2   | This shows that transmission faults are being noted. Code 2 is worse than code 1.  | The sensor should be replaced. If it reoccurs then check the environment.   |

**How to clear Exception codes**

This can be done by removal and replacement of the *sensor chamber*, by *re-allocation of the loop having the sensor or by using the menu controls*.

- Press **Menu On/Off** button.
- Select **[Test/Eng]** and then **[Usercode]**.
- Select **<etc>** to display and select **[Config]**.
- Select **[Clear]** and then select **[Exception]** and **[Enter]**.



All cleared codes will return if the conditions are still true.

**Exception (or Condition) Codes for S-Quads**

| Gen type  | Pos No. | Description                                | Exception codes |   |   |                                  |
|---|---------|--|-----------------|---|---|----------------------------------|
|   |         |  | normal band     | sub fault band  |   | fault band                       |
|   |         |  | 0               | 1   | 2   | 3                                |
| E<br>N<br>V<br>I<br>R<br>O<br>N<br>M<br>E<br>N<br>T | 1st     | Optical subfire                            | None            | Small signal sensed<br>[Check location, STATE & type] | Subfire<br>[Check location, STATE & type]             | -                                |
|   | 2nd     | Heat subfire                               | None            | Small signal sensed<br>[Check location, STATE & type] | Subfire<br>[Check location, STATE & type]             | -                                |
|   | 3rd     | Gas subfire                                | -               | Small signal sensed<br>[Check location, STATE & type] | Subfire<br>[Check location, STATE & type]             | -                                |
|   | 4th     |  | -               | -   | -   | -                                |
| S<br>E<br>N<br>S<br>O<br>R                          | 5th     | Optical/Gas channel drift or out of range  | OK              | -   | Close to acceptable limit                             | Out of limits<br>[Clean/replace] |
|   | 6th     | Heat channel drift or out of range         | OK              | -   | -   | Out of limits<br>[Clean/replace] |
|   | 7th     | Optical/Gas channel noisy (High frequency) | OK              | Single HF noise event detected                        | Multiple HF noise seen<br>[Check location and report] | -                                |
|   | 8th     | Heat channel noisy (High frequency)        | OK              | Single HF noise event detected                        | Multiple HF noise seen<br>[check location and report] | -                                |
| D<br>E<br>V<br>I<br>C<br>E                          | 9th     | Outstation firmware                        | OK              | Isolated fault<br>[Note/report]                       | Repetitive fault<br>[Note/report/replace]             | Total failure<br>[Replace]       |
|   | 10th    | Outstation transmission                    | OK              | Low error rate  | Medium error rate<br>[Report]                         | High error rate<br>[Replace]     |

# S-Quad Time average reading

The typical time average values for sensors under normal operating condition are shown in the table below.

| Part No      | Product  | Analogue Channels   | Time average Tnew    |
|--------------|--|---|----------------------|
| S4-720       | Heat Sensor  | 2 - heat  | 66                   |
| S4-720-ST-VO | Heat Sensor Speech Strobe                            | 2 - heat  | 66                   |
| S4-780       | Heat Sensor Sounder                                  | 2 - heat  | 66                   |
| S4-715       | Optical Sensor                                       | 1 - optical (forward)   | 25                   |
| S4-710       | Optical & Heat Sensor                                | 1 - optical (forward)<br>2 - heat                                     | 25<br>66             |
| S4-770       | Optical & Heat Sensor plus Sounder                   | 1 - optical (forward)<br>2 - heat                                     | 25<br>66             |
| S4-711-VO    | Dual Optical & Heat Sensor plus Speech               | 1 - optical (forward)<br>2 - heat<br>4 - optical (backward)           | 25<br>66<br>40       |
| S4-711       | Dual Optical & Heat Sensor                           | 1 - optical (forward)<br>2 - heat<br>4 - optical (backward)           | 25<br>66<br>40       |
| S4-711-ST    | Dual Optical & Heat Sensor plus Strobe               | 1 - optical (forward)<br>2 - heat<br>4 - optical (backward)           | 25<br>66<br>40       |
| S4-771       | Dual Optical & Heat Sensor plus Sounder              | 1 - optical (forward)<br>2 - heat<br>4 - optical (backward)           | 25<br>66<br>40       |
| S4-711-ST-VO | Dual Optical & Heat Sensor plus Speech & Strobe      | 1 - optical (forward)<br>2 - heat<br>4 - optical (backward)           | 25<br>66<br>40       |
| S4-711       | Dual Optical, Heat & CO Sensor                       | 1 - optical (forward)<br>2 - heat<br>3 - CO<br>4 - optical (backward) | 25<br>66<br>25<br>40 |
| S4-911-ST-VO | Dual Optical, Heat & CO Sensors plus Speech & Strobe | 1 - optical (forward)<br>2 - heat<br>3 - CO<br>4 - optical (backward) | 25<br>66<br>25<br>40 |

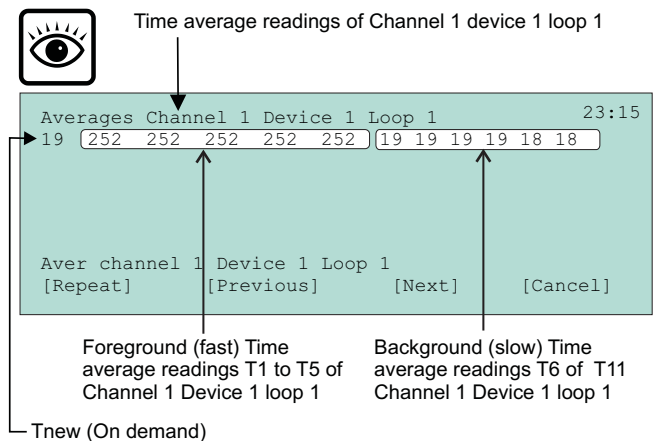
| Tnew      | Foreground (fast) time average readings          |       |       |       |        | Background (slow) time average readings |         |          |        |        |        |
|-----------|--|-------|-------|-------|--------|---|---------|----------|--------|--------|--------|
|           | T1   | T2    | T3    | T4    | T5     | T6                                      | T7      | T8       | T9     | T10    | T11    |
| On demand | 80mS   | 320mS | 1.28S | 5.12S | 20.48S | 1.36min                                 | 5.46min | 21.84min | 1.45hr | 5.82hr | 23.3hr |
|           | Normally reads 252, unless there is a threshold. |       |       |       |        |   |         |          |        |        |        |

## Checking the time averages

The following procedure assumes there is no password access required.

- Press the **Menu On/Off** button.
- Select **[Info]** and momentarily press **<etc>** to select **[Time Avg]**.
- Type in the channel number from the range 1-6
- Select **[Device]** and type in the device number for which the time average is required.
- Select **[Loop]** and enter the loop number of the device and **[Enter]**.
- If necessary select **[Repeat]** to refresh the readings.

The display shows time averages for the device.



## S-Quad - Message Action List

This list shows the messages that are likely to be displayed at the *control panel* or at a loop *repeat panel* in the fire system.

### Message Action list

The messages displayed at the *control panel* or *loop repeat panels* are given for guidance only:

- fault message
- likely meaning of the message
- along with suggestions on what initial actions may be taken to rectify the problem.



**Only the messages that are applicable will appear on the display of the control panel or loop repeat panels.**

- The term **Outstation** and **device** are used interchangeably.

| Message                     | associated with..   | meaning..   | ..possible action   |
|-----------------------------|---------------------|---|---|
| CO sensor faulty            | Device              | There is a fault with the CO sensor.  | Replace device  |
| CO sensor near end of life  | Device              | The CO cell is nearing the end of manufacturer recommended life expectancy.                       | Replace the device  |
| CO sensor restored          | Device              | The CO sensor fault has been restored   | -   |
| Flash memory checksum error | Device              | Speech Memory Checksum Error  | Replace the device  |
| Invalid Configuration       | Device              | EEPROM incorrectly programmed   | Replace the device  |
| Invalid configuration       | Loop Processor Card | Loop recovered with freeblocks ON   | This is not allowed. Switch OFF the freeblocks and reallocate |
| Memory corrupt              | Device              | EEPROM checksum failure   | Replace device  |
| Program memory corrupted    | Card                | Checksum failure on EPROM at midnight   | Clear and ignore single occurrence. Record in log book        |
| Sounder circuit has failed  | Device              | There is a fault with the sounder hardware on the S-Quad or S-Cube.                               | Replace the device  |
| Sounder circuit Restored    | Device              | The fault on the sounder S-Quad or S-Cube has been restored.                                      | -   |
| Speech circuit has failed   | Device              | There is a hardware fault possibly associated with the voice chip on the speech S-Quad or S-Cube. | Replace the device  |
| Speech circuit Restored     | Device              | The fault on the speech S-Quad and S-Cube has been restored.                                      | -   |
| Strobe circuit has failed   | Device              | The strobe circuit on the S-Quad or S-Cube device has failed                                      | Replace the device  |
| Strobe circuit Restored     | Device              | The hardware fault associated with the strobe has been restored.                                  | -   |

# Finding an S-Quad device

The 'find device' is a function that gives a visual or audible indication at the respective S-Quad device on a loop circuit.

- Press the Menu On/Off button and then **[Test/Eng]** .
- Select **[Loop]** and then **[Find Dev]**.
- Now enter a Loop card number to select the loop circuit.
- Select **[Start]** and type in a device number (usually device 1 is entered).
- Select **[Enter]**. The display shows the device and loop number.

Number 1 on Loop 1

- Press **[Next]** to find the next device on the loop and at any stage if the previous device needs to be found then select **[Previous]**.

A found device will provide visual or audible indication:

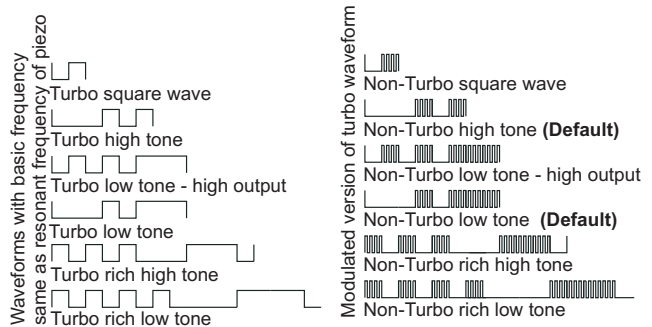
- On any S-Quad device there will be a flashing indication given by the local LED.
- An S-Quad with Sounder, but without speech, will cause the Sounder to output pulsed tone
- An S-Quad with Strobe will cause the strobe to operate.
- An S-Quad with Speech will cause a tone followed by announcement of a test message: "This is a test message no action is required"

# Loop loading

The 'Battery Standby Calculator' tool is available via Gentexpert website. The tool must be used to accurately determine the loop loading and to ensure the devices installed on each loop are within the maximum allowed and will meet the control panel's standby requirement.

# Turbo and Non Turbo Modes

The S-Quads can output in **turbo** and/or in **non turbo** modes. When the panel commands a low or high tone output at S-Quads, if configured during commissioning, the S-Quad will output turbo and/or non turbo tones. The **high and low FAB mappings** are used to change the tone output of the S-Quad sounder. The turbo mode outputs a waveform with a basic frequency that is the same frequency as the resonant frequency of the S-Quad piezo. The non turbo mode outputs modulated turbo waveform.



| No. | Description                      |
|-----|----------------------------------|
| 0   | Turbo square wave                |
| 1   | Turbo high tone                  |
| 2   | Turbo low tone - high output     |
| 3   | Turbo low tone                   |
| 4   | Turbo rich high tone             |
| 5   | Turbo rich low tone              |
| 8   | Non-Turbo square wave            |
| 9   | Non-Turbo high tone              |
| 10  | Non-Turbo low tone - high output |
| 11  | Non-Turbo low tone               |
| 12  | Non-Turbo rich high tone         |
| 13  | Non-Turbo rich low tone          |

The volume levels and power requirements of the S-Quads operating in turbo mode are significantly higher than in non-turbo mode.

# System test

## Preparation

- Check to ensure access will be provided to areas where installed equipment is to be tested, such as in locked or secure areas.
- Ensure all sensor *dust covers* are removed.
- Tests may be made easier by having: sensor extractor tool, smoke pole and canister, heat gun.



**Health and safety must be observed when using these test tools.**

## Communication to site occupants

- Before undertaking any of these tests and to prevent unnecessary building evacuation, ensure:
  - all affected personal on site are informed via a responsible person that the fire alarm system is being commissioned.
  - where there is a link to an alarm receiving centre, the appropriate action should be taken to ensure they are informed that tests are being carried out on the system.

## Commissioning computer

It is much easier for the panel and system to be configured from a Commissioning computer, see Programming tool manual.

## Test / Commissioning mode



**The [Reset / No Reset] is a toggle option and is under the Test / Commissioning mode function, it allows the test on sensor devices with or without a panel reset.**

## Control panel having version 4 software (for EN Panels)

The **zone test mode** function must be used to test sensor devices in the system.

- A zone may be put in to the test mode when testing devices in a zone. It allows the engineer to test zones without having to return to the panel to silence alarms and reset the system.

While the panel is in the Zone test mode, following a fire event the alarm sounds for 5 seconds and the panel automatically performs a Silence Alarms sequence and thereafter a panel Reset, see note. The panel inhibits the operation of delay block functions, network functions, auxiliary and clean contact relays operation in this mode.

- All zones of the system that are not in test mode will operate normally.

- To put the panel in or out of zone test mode:**  
Press **Menu On/Off** button and select **[Test/Eng]**. Select **[UserCode]** and enter the Engineering password (PIN), this need only be done if an Engineering password is set up. Press **<etc>** and select **[Test]** and select **[Zone]** and toggle select **[Reset / No Reset]**, whatever it reads that is what is selected. Now select **[On]** and type in the zone number and select **[Enter]**.



- On completion of tests ensure the Zone mode is switched OFF and notice the Test indicator will also switch Off.

## Control panel having version 3+ software (for BS panels)

The **Commissioning mode** function must be used to test sensor devices in the system.

- The system may be put in the commissioning mode when testing fire sensors. It allows the engineer to test sensors without having to return to the panel to Silence Alarms and Reset the system.

While the panel is in the Commissioning mode, following a fire event the alarm sounds for 5 seconds and then automatically performs a Silence Alarm sequence and thereafter a panel reset, see note.

- To put the control panel in or out of the Commissioning mode:**  
Press **Menu On/Off** button and select **[Test/Eng]**. Select **[UserCode]** and enter the Engineering password, this need only be done if an Engineering password is set up. Press **<etc>** **<etc>** and then select **[Commisn]** and toggle select **[Reset / No Reset]** whatever it reads that is what is selected. Now toggle select **On** using the **[On / Off]** selection and then **[Enter]**.
- On completion of tests ensure the Commissioning mode is switched Off.

**Testing Fire Sensors**

It is important to ensure that the panel is in **Test mode** before testing sensors in the system. This is particularly important when testing S-Quad sensors having dual optical sensing, as they are designed to minimise false alarms caused by dust and steam. The 'artificial smoke' particles from smoke canister look more like steam. When the panel is in **Test / Commissioning mode** all the dual optical S-Quad sensors in the system are treated as single channel optical sensors. A single channel optical sensor overrides the false alarm immunity of dual optical sensor and permit the testing of the S-Quad sensors by using canned smoke.



1. When testing heat sensors **DO NOT** use a heat gun to test heat sensors in a hazardous environment.
2. Recommended test equipment and methods must be used to fire test flame detectors off interface units.
4. When smoke testing fire sensors using artificial smoke, avoid excessive spray to prevent accumulation of sticky residue on sensor, see instructions on the smoke canister.
5. The beam sensors should be tested using obscuration filters to simulate smoke at default sensitivity.

The BS5839:Part 1 recommends that all sensors are tested for correct operation.

- Unless otherwise instructed all sensors should be tested.
- Each sensor should also be checked for any physical obstacles that would inhibit the operation of the sensor in the event of a fire.
- Where practical, each *conventional flame detector* operating via an interface unit should be functionally tested.

**Testing the S-Quad devices**

- The sensor(s) part of the S-Quad must be system tested as per previous section.
- For the Sound and Speech part of the S-Quad ensure each device outputs the correct signal at the appropriate volume level and ensure the strobe operate at the required flash rate. All S-Quad devices in the system should have been setup using the commissioning tool.
- Each S-Quad should be tested for correct operation in the event of fire.
- The sound levels in the areas should be tested in accordance with the British Standard requirements and to meet the site specific needs as agreed with the customer.

# Commissioning tool settings

**Menu selection**  
 1a Configuration  
 1b SQuad Config...

**Icon selection**  
 1 S4

**Attention tone**  
 Standard or Complex tone

**Speech Message**  
 Message

To select line type:  
 - Unmonitored output  
 - Monitored input or  
 - Monitored output

Sounder or Speech and Strobe enable / disable

High and Low tone selection or Tone followed by message selection for signals 0, 1, 2 and 3

Strobe flash rate of 1 or 2 flashes per second.

**S Quad Configuration**

| Signals  | Low/ Attn Tone | High/ Message | Sounder Actioned                    | Strobe Actioned                     | Speech Operation                    | Strobe Period | PreSpeech Silence | PostSpeech Silence |
|----------|----------------|---------------|-------------------------------------|-------------------------------------|-------------------------------------|---------------|-------------------|--------------------|
| Signal 0 | 00             | 03            | <input checked="" type="checkbox"/> | <input checked="" type="checkbox"/> | <input checked="" type="checkbox"/> | 1             | 0                 | 0                  |
| Signal 1 | 00             | 02            | <input checked="" type="checkbox"/> | <input checked="" type="checkbox"/> | <input checked="" type="checkbox"/> | 2             | 0                 | 0                  |
| Signal 2 | 01             | 04            | <input checked="" type="checkbox"/> | <input checked="" type="checkbox"/> | <input checked="" type="checkbox"/> | 1             | 0                 | 0                  |
| Signal 3 | 00             | 01            | <input checked="" type="checkbox"/> | <input checked="" type="checkbox"/> | <input checked="" type="checkbox"/> | 1             | 0                 | 0                  |

**Device settings**  
 Maximum Volume: 100 % Max. \*  
 Last Commissioned: 01/01/2000  
 Line Type: UnMonitored Output  
 Input Type: Fire Detector

**All Devices**  
 High FAB Mapping: Non-Turbo low tone  
 Low FAB Mapping: Non-Turbo high tone  
 Flash Fire LED when scanned by panel  
 Flash Repeat LED when scanned by panel  
 Speech Sequence Period: 10s  
 Start Volume: 100 % Max. Increment: 100 % Max.  Background Monitoring

\* Note. To comply with En54 pt3, the min volume of a sounder should be at least 65dBA, which equates to 16% of max volume for SQuad devices

2

3

4

5

Select the maximum required volume out of Sounder and Speech S-Quads.

All % settings range from 0 to 100% in increments of 5%

Soft start settings can be applied to sounder and speech S-Quads. Set the start volume and % increment by which the volume should increase. 10 to 60 seconds

High and Low FAB tone selection from a range of turbo and non turbo tones.

To select input type:  
 - Fire detector  
 - Fault  
 - Supervisory  
 - Other fire  
 - MCP fire

S-Quad Fire LED  
 Repeat Fire LED

At the end of their useful life, the packaging, product and batteries should be disposed of via a suitable recycling centre and in accordance with national or local legislation.

**WEEE Directive:**  
 At the end of their useful life, the packaging, product and batteries should be disposed of via a suitable recycling centre. Do not dispose of with your normal household waste. Do not burn.

Gent by Honeywell reserves the right to revise this publication from time to time and make changes to the content hereof without obligation to notify any person of such revisions of changes.

|             |   |                               |
|-------------|---|-------------------------------|
| <b>GENT</b> | Hamilton Industrial Park, Waterside Road, Leicester LE5 1TN, UK | Website: www.gent.co.uk       |
|             | Telephone +44 (0) 116 246 2000                                  | Fax (UK): +44 (0)116 246 2300 |