

Installation instructions Main Control Card

(VIG-MCC) for EN54 Vigilon 4-loop panel with zone LEDs



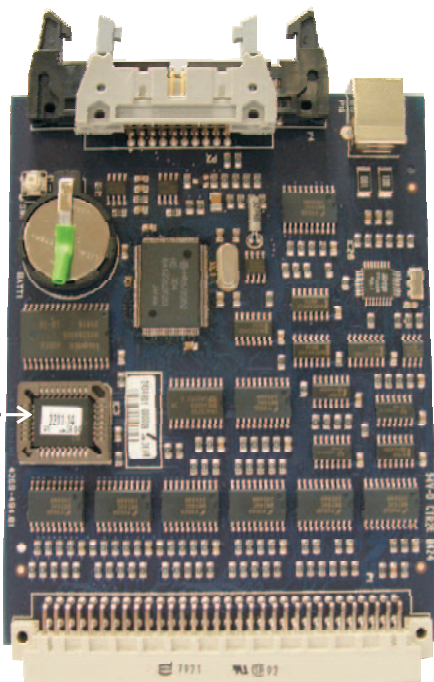
This Main Control Card is compatible with Vigilon Panels and Vigilon inner doors supplied up to 15th February 2005.



Vigilon panels using VIG-MCC Main Control Card are compatible with S-Quad range of sensors.



This MCC MUST NOT be installed in BS version of Vigilon or 34000 Fire panel.



Part number 2211-147 →

Technical data

Overall size	157mm height x 100mm width
Weight	96g (approximate)
Lithium Battery	CR2032 3V cell. Replace only with the same or equivalent type battery. Dispose of used batteries according to the manufacturer's instructions.
Operating temperature	0°C to 45°C
Storage temperature	-10°C to 55°C
Relative humidity (non condensing)	up to 90%

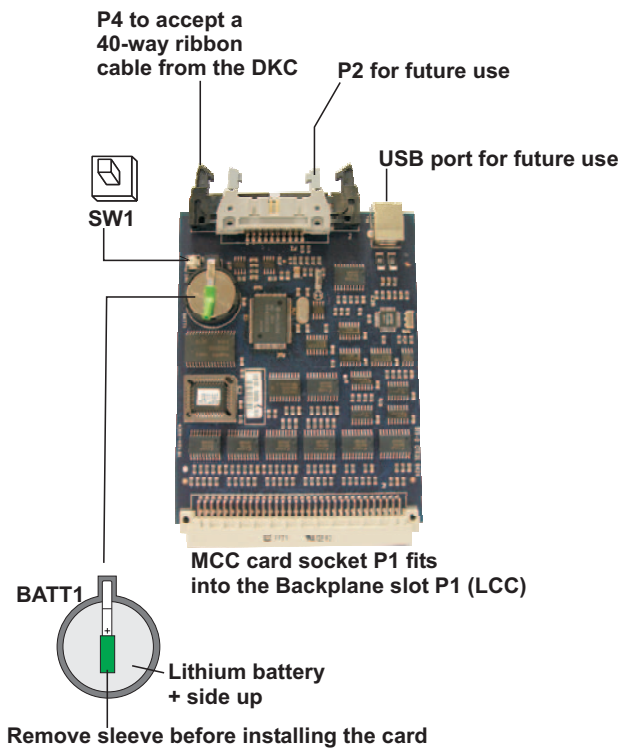
Compatibility

(supplied parts highlighted)

	Identification	Compatible control card
Vigilon Inner door EN54 without zone LEDs	<input type="checkbox"/> No Zone LEDs	VIG-MCC-UPGR (V4.30 and above) VIG-LCC
Vigilon Inner door EN54 with zone LEDs supplied up to 15th February 2005	<input type="checkbox"/> Zone LEDs <input type="checkbox"/> 6 LEDs on control indication facia	VIG-MCC
Vigilon Inner door EN54 with zonal LEDs supplied after 15th February 2005	<input type="checkbox"/> MCC compatibility notice on inner door <input type="checkbox"/> Zone LEDs <input type="checkbox"/> 12 LEDs on control indication facia	VIG-MCC-EN (V4.30 and above)

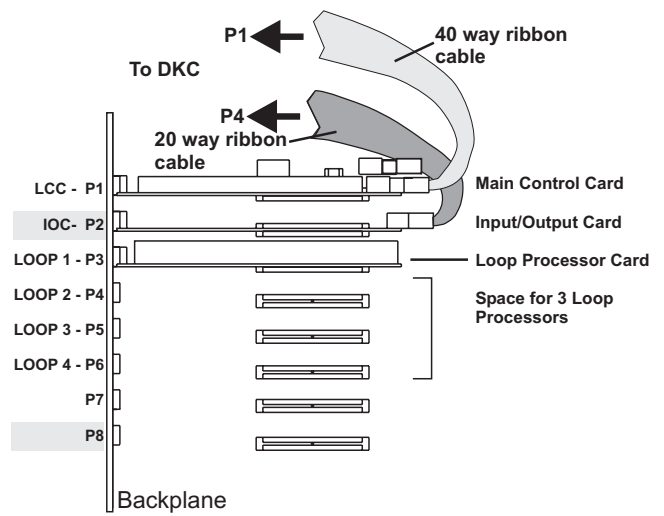
Battery connection

The MCC has a battery that is disconnected by means of a factory fitted sleeve. The sleeve must be removed before the MCC card is installed into the backplane.



Installing the MCC

The MCC must be fitted into the LCC slot P1 on the backplane. The ribbon cables from the display keyboard card (DKC) should then be connected in the manner shown below.



! Once the battery sleeve is removed from the MCC, the card **MUST NOT** be placed on a metal surface as this may result in damage to the components on the card.

Novar Systems Limited reserves the right to revise this publication from time to time and make changes to the content hereof without obligation to notify any person of such revisions of changes.

GENT	Hamilton Industrial Park, Waterside Road, Leicester LE5 1TN, UK	Website: www.gent.co.uk
	Telephone +44 (0) 116 246 2000	Fax (UK): +44 (0)116 246 2300

Registered office: Novar House: 24 Queens Road, Weybridge, Surrey KT13 9UX