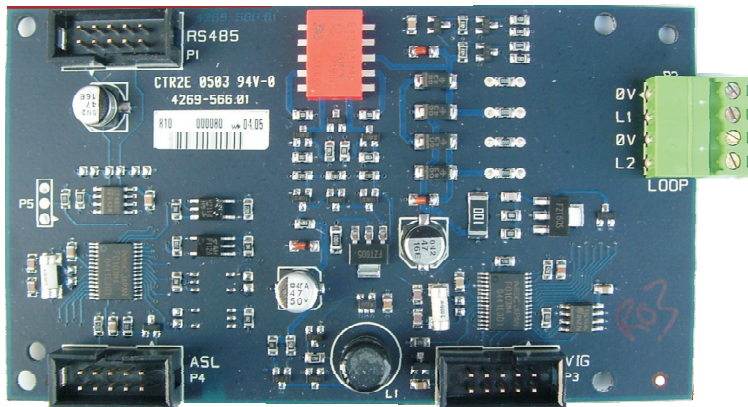


Installation DAU Interface PCB

(2434T810) for Orator/Vigilon Voice DAUs



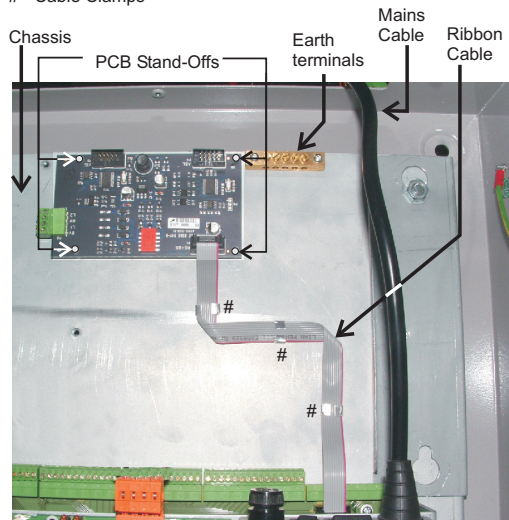
The DAU Interface PCB (part number 2434T810) allow DAUs to interface with the fire alarm system. A fire event in the fire system will action the respective speaker circuits of the Distributed Amplifier Units (DAUs) to announce pre-recorded fire messages.

The DAU Interface PCB is supplied with:

Description	Quantity
DAU Interface PCB	1
Ribbon cable	1
PCB stand-off	4
Cable clamp	3

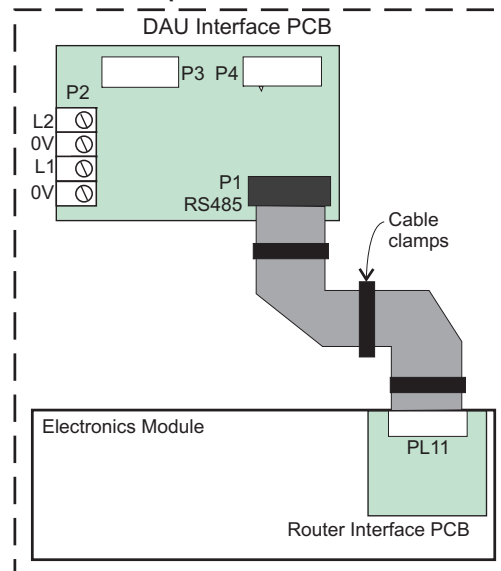
- Ensure the Stand-offs are securely fitted to the chassis. Fit the DAU Interface PCB onto the chassis as shown below.

- Cable Clamps



- Connect the ribbon cable from the DAU Interface PCB connector P1 (RS485) to the Router Interface PCB connector PL11, located in the electronics module. Fix the cable clamps to the chassis and secure the ribbon cable.

Distributed Amplifier Unit



- Make the connection to the fire system device loop.

Connection to Vigilon device loop

